

RACE	XB808 Basic Set-up		
TRACK	Track		
NAME	XRAY		
CITY / COUNTRY	Trencin	Slovakia	
CONTACT			
DATE	11/04/2008		
TEMPERATURE / °F or °C	AIR	TRACK	
LAPS	FINAL POSITION	BEST LAP TIME / sec	RACE LENGTH / min.

TRACK SIZE	<input type="checkbox"/> OPEN	<input checked="" type="checkbox"/> MEDIUM	<input type="checkbox"/> TIGHT
TRACK TRACTION	<input type="checkbox"/> HIGH	<input checked="" type="checkbox"/> MEDIUM	<input type="checkbox"/> LOW
TRACK SURFACE	<input type="checkbox"/> SMOOTH	<input checked="" type="checkbox"/> MEDIUM	<input type="checkbox"/> BUMPY
TRACK TYPE	<input type="checkbox"/> HARD PACKED	<input type="checkbox"/> SOFT DIRT	<input type="checkbox"/> CLAY
	<input type="checkbox"/> BLUE GROOVE	<input type="checkbox"/> ASTRO TURF	<input type="checkbox"/> GRASS
TRACK CONDITION	<input type="checkbox"/> DRY	<input type="checkbox"/> DUSTY	<input type="checkbox"/> WET
	<input type="checkbox"/> MUD		

DIFFERENTIALS		
TYPE		
FRONT	CENTER	REAR
Standard	Standard	Standard
DIFFERENTIAL - OIL		
5000	7000	2000

GEARING			
CLUTCH BELL	16	SPUR GEAR	42
PINION	10	CROWN GEAR	43
SPRING	Hard	SHOE	1.71 Alu

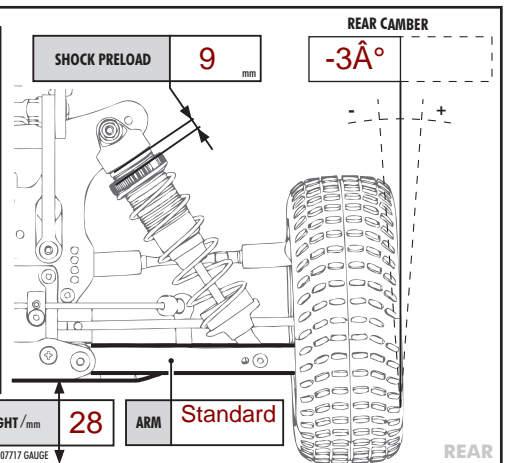
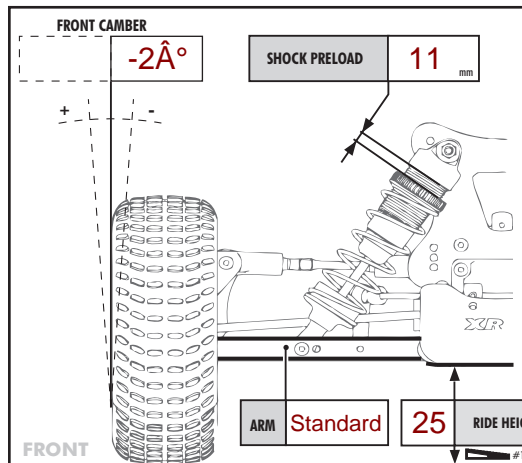
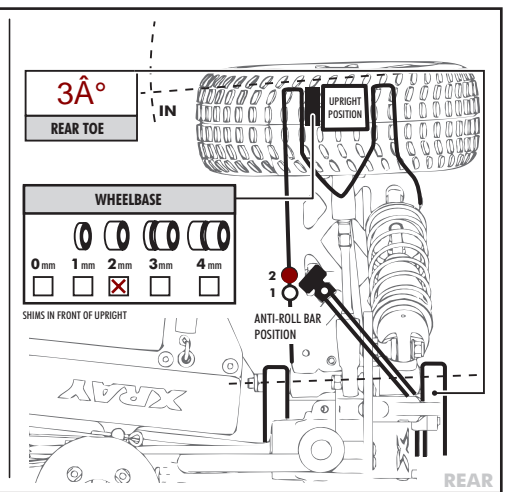
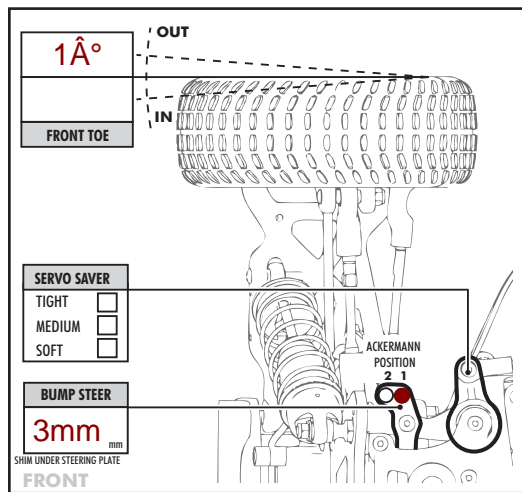
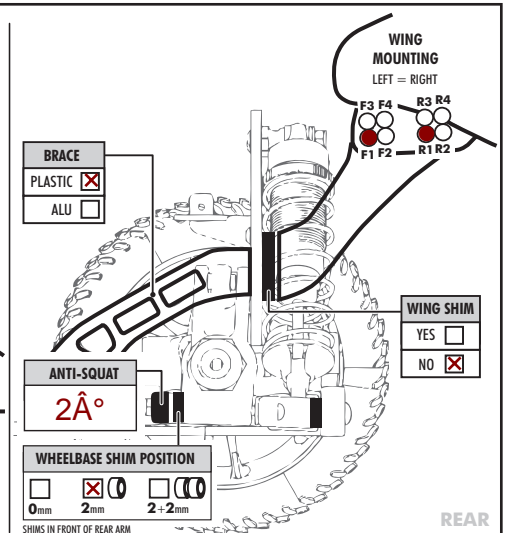
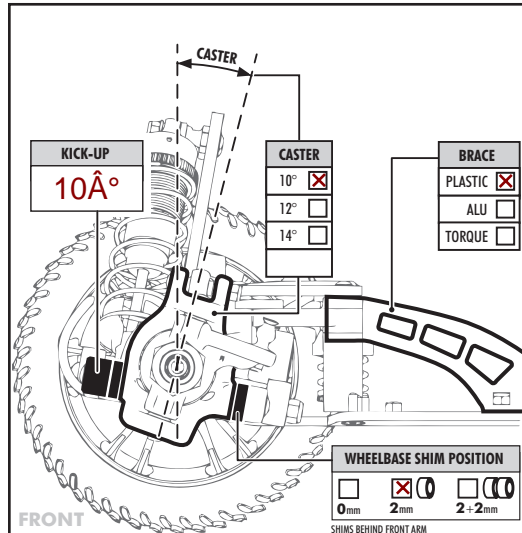
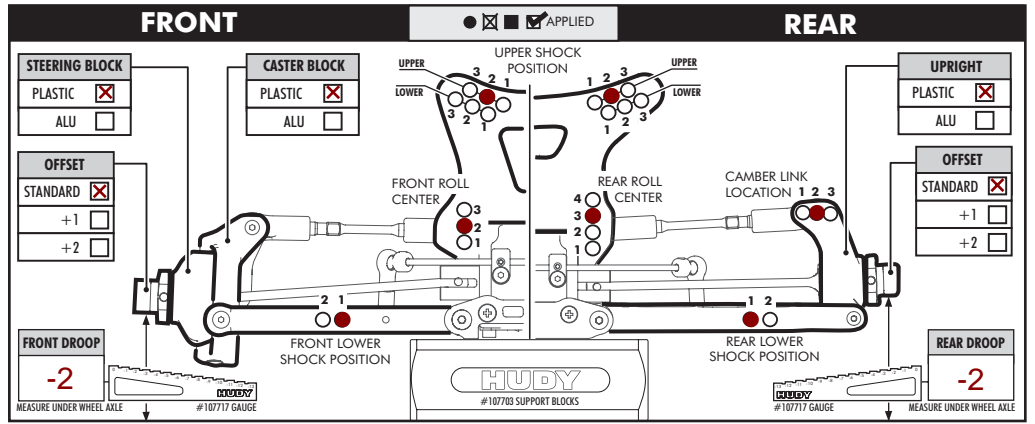
FRONT	SHOCKS	REAR
#358182 C = 0.65	<input type="checkbox"/> WHITE	#358282 C = 0.47
#358183 C = 0.70	<input type="checkbox"/> GREY	#358283 C = 0.50
#358184 C = 0.75	<input checked="" type="checkbox"/> SILVER	#358284 C = 0.53
#358185 C = 0.80	<input type="checkbox"/> GREY-BLUE	#358285 C = 0.57
#358186 C = 0.86	<input type="checkbox"/> BLUE	#358286 C = 0.61
#358187 C = 0.92	<input type="checkbox"/> VIOLET	#358287 C = 0.65
#358188 C = 0.98	<input type="checkbox"/> PURPLE	#358288 C = 0.70
	OTHER	
600	OIL / cST	350
0	REBOUND / %	0
<input type="checkbox"/> 1.3 mm	<input checked="" type="checkbox"/> PISTONS HOLES SIZE	<input type="checkbox"/> 1.3 mm
<input type="checkbox"/> 1.4 mm		<input type="checkbox"/> 1.4 mm
<input checked="" type="checkbox"/> 1.5 mm	OTHER	<input type="checkbox"/> 1.5 mm

FRONT	ANTI ROLL BAR	REAR
2.4	THICKNESS / mm	2.6

FRONT	TIRES	REAR
	TYPE	
	INSERTS	
XRAY	WHEELS	XRAY

ENGINE	
TYPE	
MANIFOLD	
MUFLER	
PLUG	
FUEL	

BODY	
TYPE	XRAY XB808



COMMENTS